

Thank you for choosing this quality product. Be sure to check all packaging materials carefully for small parts that may have loosened inside the carton during shipment and place on a non-abrasive surface.

**IMPORTANT**

These parts can be cumbersome and heavy to some people, therefore, the assistance of two or more people are recommended in order to prevent personal injury and ensure the furniture is not damaged during the assembly Process.

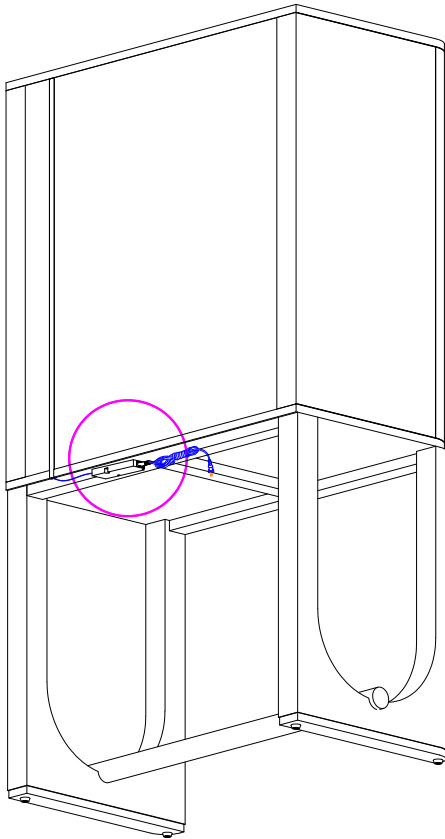
**REPLACEMENT INSTRUCTIONS FOR ELECTRIC WIRE**

On the furniture, we fixed a adapter together with a electric wire. Now, please determine power outlet in the your house. We have 4 option:

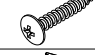
- If your power outlet with 2 jack holes is round for CE standard, use electric wire installed available on the furniture.
- If your power outlet with 2 jack holes is flat for China standard, use electric wire (1) provided. (Refer to instruction as below)
- If your power outlet with 3 jack holes for CE standard, use electric wire (2) provided. (Refer to instruction as below)
- If your power outlet with 2 jack holes is flat for UL standard only, use electric wire (3) provided. (Refer to instruction as below)

**INSTALLATION INSTRUCTION**

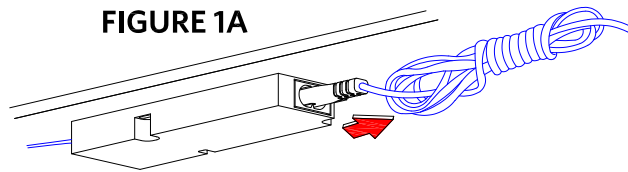
Please check the bottom of furniture, you will see a adapter installed. Next step is you must be remove the electric wire from the adapter and then change it by a electric wire provided so suitable for your outlet. Refer to FIGURE 1A & 1B.



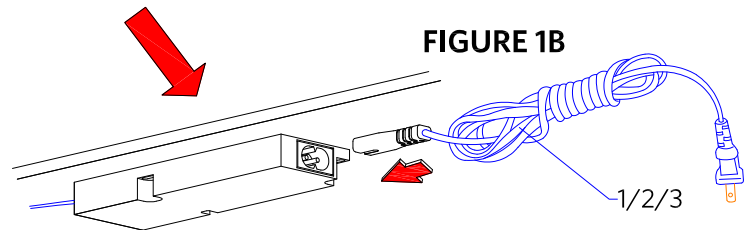
**HARDWARE LIST**

NO	DESCRIPTION	QTY
1	 PLUG WITH 2 FLAT PINS (CCC CERTIFICATED)	1
2	 PLUG WITH 3 PINS (CE CERTIFICATED)	1
3	 PLUG WITH 2 FLAT PINS (UL CERTIFICATED)	1
4	 METAL BRACKET	2
5	 CLEVIS PIN	2
6	 STEEL AIRCRAFT CABLE	1
7	 HAIR PIN	2
8	 SHORT SCREW	2
9	 LONG SCREW	2
9	 TOGGLE BOLT	2

**FIGURE 1A**

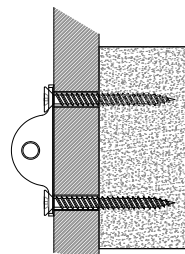


**FIGURE 1B**

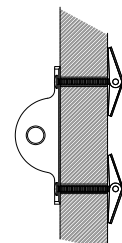


**ASSEMBLY INSTRUCTIONS BY WALL TYPE :**

- DRYWALL WITH STUDS: Use screws to affix to studs, and use hollow wall anchors and screws to affix to drywall. See FIGURE A.
- DRYWALL WITHOUT STUDS: Use toggle bolt and screws to affix to drywall. See FIGURE B.



**FIGURE A**  
DRYWALL W/STUDS



**FIGURE B**  
DRYWALL W/O STUDS

## FURNITURE TIPPING RESTRAINT INSTRUCTIONS

Young children may be injured by tipping furniture. The use of a tipping restraint is highly recommended.

When properly installed, this restraint could provide protection against the unexpected tipping of furniture due to small tremors, bumps or climbing. We recommend mounting this restraint to a wall stud.

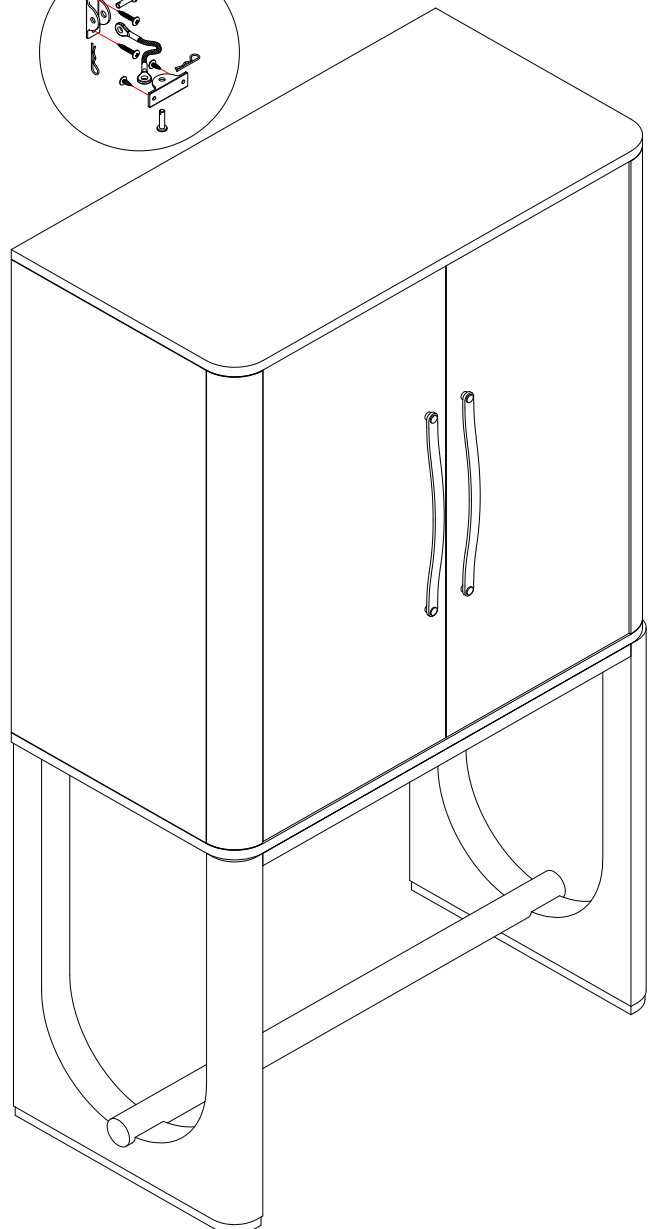
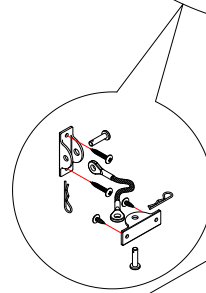
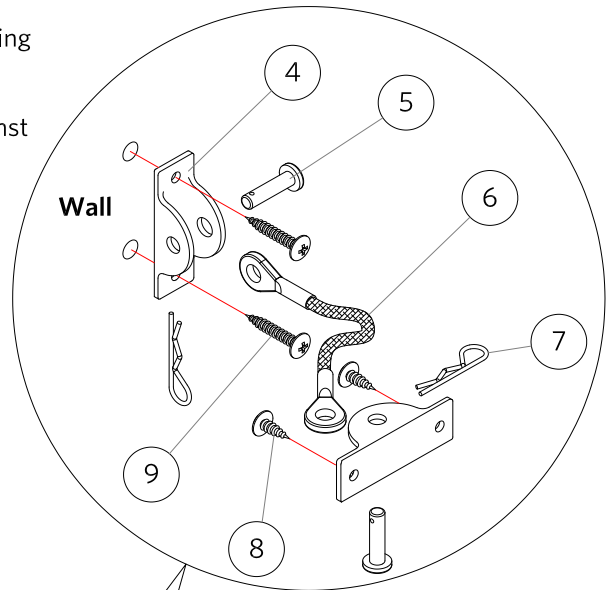
**WARNING:** This product is only a deterrent. It is not a substitute for proper adult supervision.

## ANTI-TIP-KIT INSTALLATION INSTRUCTION

**⚠ WARNING:** Always mount metal brackets to solid wood of furniture. Do not attach to plywood of back panels.

**WE RECOMMEND ATTACHING TO STUDS.**

1. Attach mounting brackets (4) near the middle-top back edge of the furniture piece by inserting the shorter screws (8).
2. Determine the final position of the furniture piece. Mark locations on the wall approximately 2" below the brackets mounted to the back of the furniture.
3. Attach the second brackets to stud wall by inserting the longer screw (9) (See Figure A) or toggle bolt (10) with drywall (See Figure B).
4. Place the furniture so that the brackets on the back edge are in line with the brackets in the wall.
5. Insert the clevis pin (5) through holes on brackets and hole on steel aircraft cable (6). Use hair pin (7) to go through small hole on clevis pin (5) to lock it.
6. Repeat above step to attach the end of aircraft cable (6) to the bracket on the wall.
7. Check to make sure the steel aircraft cable is securely laced and locked to the brackets.



## CARE INSTRUCTIONS

1. Dust often using a clean, soft, dry and lint-free cloth.
2. Blot spills immediately and wipe with a clean, damp, cloth.
3. We do not recommend the use of chemical cleansers, abrasives or furniture polish on our lacquered finish.

## IMPORTANT SAFETY INSTRUCTIONS

1. Please read all instructions carefully before assembling.
2. Keep instructions for future use.
3. Use only vendor supplied hardware to assemble. Using unauthorized hardware could jeopardize the structural integrity of the item.